



POELSAN®



**DİŐLİ BAĐLANTI
ELEMENTLARI**
THREADED FITTINGS

Poelsan Dünya Firmalarıyla Rekabet Ediyor...

- ✦ Poelsan, 1994 yılında henüz ülkemizde üretimi yapılmadığı için ithal edilen Polietilen Kanga Boru Bağlantı Adaptörlerini, kendi tesisinde üreterek piyasaya sunan ilk firma olmuştur.

Poelsan ürünleri, başta peyzaj sektörü olmak üzere, içme suyu şebekelerinde, tarım alanlarında, seralarda, damla sulama sistemlerinde güvenle kullanılabilir.

Poelsan, 52.000 m² alanda yıllık 10.522 ton plastik işleme kapasitesiyle üretim yapmaktadır. Poelsan, yurt içinde tüm illere yayılmış yaklaşık 400 bayi ile çalışmakta ve 60 ülkeye ihracat yapmaktadır.

Poelsan, 2.000'in üzerinde ürün çeşidine sahiptir ve sektördeki yeniliklere bağlı olarak mevcut ürün çeşidini sürekli olarak arttırmayı ve sektöründe bir dünya markası olmayı hedeflemektedir.

Poelsan is in the Global Market...

- ✦ Poelsan is the first company that produced and marketed the Compression Fittings for PE Roll Pipes at its own plant, as the mentioned products cannot be produced in the country and consequently been imported up to the year 1994.

Our products can be used safely in the areas of landscaping, potable water networks, agricultural irrigation, drip irrigation and greenhouses.

Poelsan makes production in 52.000 m² area with its annual plastic process of 10.522 tones. Poelsan cooperates with 400 domestic distributors overall provinces in Turkey and also exports to 60 countries presently.

Poelsan has a wide product range consisting of more than 2.000 items and our company aims to extend its current product range consistently depending on the developments in the sector and to be a global brand.



Misyonumuz

- + Yüksek kalite ve teknolojinin buluşması ile plastik boru ek parça üretiminde yerel ve küresel pazarda öncü bir marka olmak.

Vizyonumuz

- + Plastik boru bağlantı sistemlerinde yakın coğrafyada lider, global pazarda tercih edilen bir marka olmak.

Değerlerimiz

- + İnsan ve Çevreye Saygı
- + Liderlik
- + Güvenilirlik
- + Değerli Hissettirmek
- + Gelişime ve Yeniliğe Açık
- + Takım Ruhu

Our Mission

- + To be a leading brand in the local and global market in the production of plastic pipe fittings with the combination of high quality and technology.

Our Vision

- + To become the leader in the nearby geography in plastic pipe connection systems, and a preferred brand in global market.

Our Values

- + Respect for Human and Environment
- + Leadership
- + Reliability
- + Making Feel Special
- + Open for Development and Innovation
- + Team Spirit



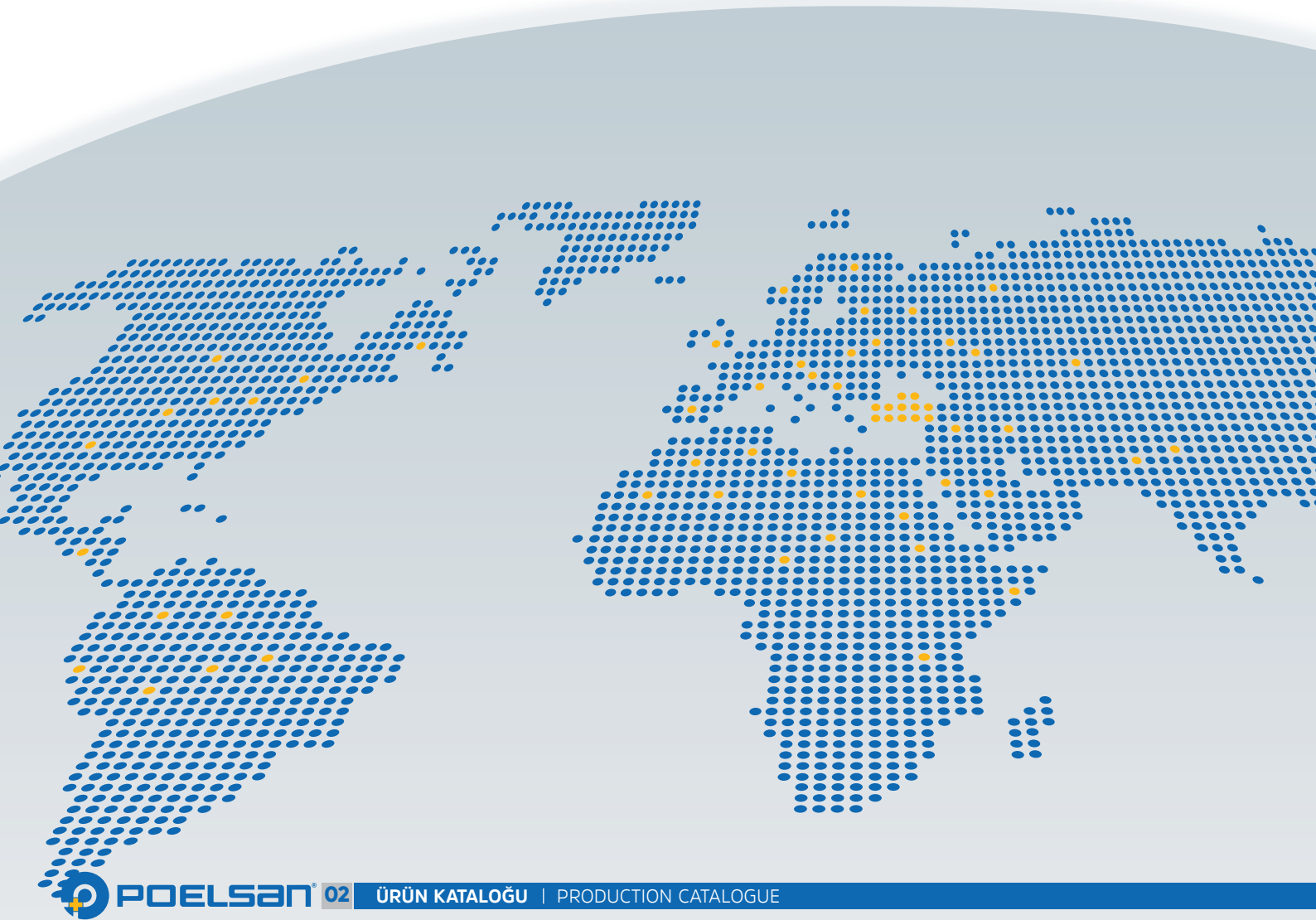
SEKTÖRÜNDE DÜNYA MARKASI

WORLD'S LEADING BRAND IN THE INDUSTRY



65 2.000 Üzerinde Ürün Çeşidi
ÜLKEYE İHRACAT

More than 2.000 products range
in 65 countries



ALMANYA + ARJANTİN + ARNAVUTLUK + AVUSTRALYA + AZERBAYCAN
+ BELARUS + BOLİVYA + BREZİLYA + BULGARİSTAN + CEZAYİR +
EKVADOR + ERMENİSTAN + ETİYOPYA + FAS + FİLİSTİN + FRANSA
+ GÜRCİSTAN + HIRVATİSTAN + HİNDİSTAN + HOLLANDA + IRAK +
İNGİLTERE + İRAN + İRLANDA + İSPANYA + İSRAİL + İTALYA + KARADAĞ
+ KATAR + KAZAKİSTAN + K.K.T.C + KOSOVA + KUVEYT + LETONYA + LİBYA +
LÜBNAN + MACARİSTAN + MISIR + MOLDOVA + NORVEÇ + PAKİSTAN + PERU
POLONYA PORTEKİZ ROMANYA RUSYA SİRBİSTAN SURİYE
SUUDİ ARABİSTAN + ŞİLİ + TAYLAND + TUNUS + TÜRKMENİSTAN + UKRAYNA
+ URUGUAY + ÜRDÜN + VENEZUELA + YEMEN + YENİ ZELANDA + YUNANİSTAN +
ALBANIA + ALGERIA + ARGENTINA + ARMENIA + AUSTRALIA + AZERBAIJAN
BELARUS + BOLIVIA + BRAZIL + BULGARIA + CHILE + CROATIA + ECUADOR + EGYPT
ENGLAND + ETHIOPIA + FRANCE + GEORGIA + GERMANY + GREECE + HOLLAND
HUNGARY + INDIA + IRAN + IRELAND + IRAQ + ISRAEL + ITALY + JORDAN
KAZAKHSTAN + KOSOVO + KUWAIT + LATVIA + LEBANON + LIBYA
MOLDOVA + MONTENEGRO + MOROCCO + NEW ZEALAND
NORWAY + PAKISTAN + PALESTINE + PERU
POLAND + PORTUGAL + QATAR + ROMANIA
RUSSIA + SAUDIARABIA + SERBIA
SPAIN + SYRIA + THAILAND
TUNISIA + TURKMENISTAN
T.R.N.C + UKRAINE
URUGUAY +
VENEZUELA
YEMEN

DIŐLİ BAĐLANTI ELEMANLARI

THREADED FITTINGS
РЕЗЬБОВЫЕ ФИТИНГИ
تجهيزات وصلات ملولبة

Özellikler

- + Darbelere karşı dayanıklı, yüksek kaliteli polipropilen hammaddeden üretilmiştir.
- + UV ışınlarını geçirmediđi için yosunlanmaya ve bakteri üremesine izin vermez.
- + İç yüzeyleri homojen ve gözeneksizdir.
- + Suyun kokusunu ve tadını deđiştirebilecek hiçbir yabancı madde içermez.

Specifications

- + It has been produced from high quality polypropylene raw material and it has resistance to impact.
- + They prevent alga and bacteria forming due to UV proof (ultraviolet beam) structure.
- + It has a homogeneous and non-porous inner surface.
- + It does not contain any foreign substance which can change the taste or the smell of the water.

GARANTİ VERİLEN BASINÇ DEĐERLERİ: PN 10
GUARANTEED PRESSURE VALUES : PN 10

KULLANIM ALANLARI

- + Peyzaj Sektörü
- + Tarımsal Sulama

INSTALLATION AREAS

- + Landscaping Systems
- + Agricultural Irrigation

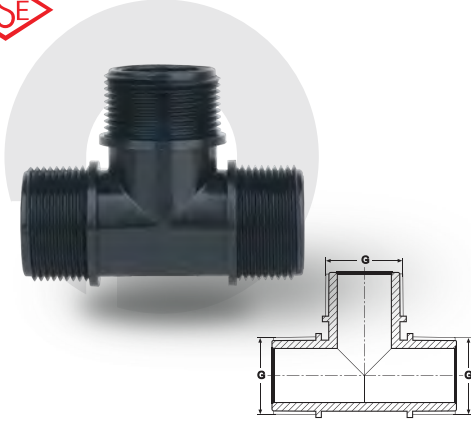


TS EN ISO 9261



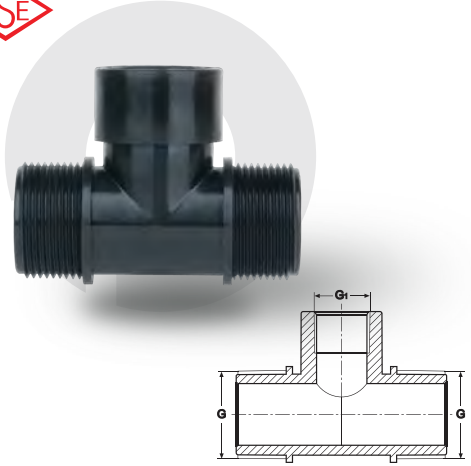
DIŞLİ BAĞLANTI ELEMANLARI / THREADED FITTINGS

تجهيزات وصلات ملولبة / РЕЗЬБОВЫЕ ФИТИНГИ



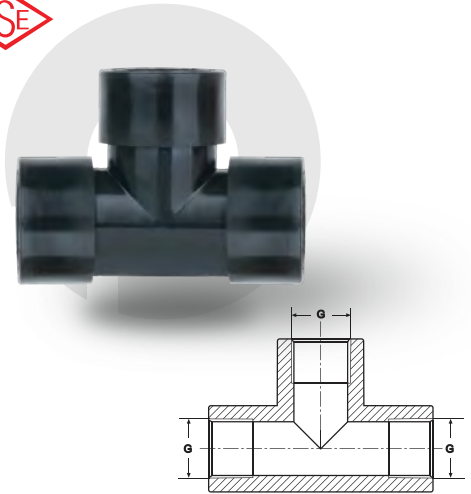
DIŞLİ TE ERKEK - ERKEK- ERKEK

THREADED TEE MALE - MALE - MALE
ТРОЙНИК РЕЗЬБОВОЙ «ШТУЦЕР» - «ШТУЦЕР»
وصلات أنبوب تي ملولبة - ذكر - ذكر - ذكر



DIŞLİ TE ERKEK - DIŞİ - ERKEK

THREADED TEE MALE - FEMALE - MALE
ТРОЙНИК РЕЗЬБОВОЙ «МУФТА» - «ШТУЦЕР»
وصلات أنبوب تي ملولبة ذكر - أنثى - ذكر



DIŞLİ TE DIŞİ - DIŞİ- DIŞİ

THREADED TEE FEMALE - FEMALE - FEMALE
ТРОЙНИК РЕЗЬБОВОЙ «МУФТА» - «МУФТА»
وصلات أنبوب تي ملولبة أنثى - أنثى - أنثى

KOD CODE	EBAT / SIZE G x G x G	AMBALAJ ADEDİ PACKING QUANTITY	KOLİ ADEDİ BOX QUANTITY	ÇUVAL ADEDİ SACK QUANTITY
13111	1/2" x 1/2" x 1/2"	25	750	800
13112	1/2" x 3/4" x 1/2"	25	600	650
13121	3/4" x 1/2" x 3/4"	25	600	650
13122	3/4" x 3/4" x 3/4"	25	600	650
13123	3/4" x 1" x 3/4"	25	550	550
13131	1" x 1/2" x 1"	25	400	450
13132	1" x 3/4" x 1"	25	400	450
13133	1" x 1" x 1"	25	400	450
13141	1 1/4" x 1/2" x 1 1/4"	15	210	270
13142	1 1/4" x 3/4" x 1 1/4"	15	210	255
13143	1 1/4" x 1" x 1 1/4"	15	210	225
13144	1 1/4" x 1 1/4" x 1 1/4"	15	180	210
13155	1 1/2" x 1 1/2" x 1 1/2"	10	100	110
13165	2" x 1 1/2" x 2"	6	66	72
13166	2" x 2" x 2"	6	60	72
13177	2 1/2" x 2 1/2" x 2 1/2"	3	36	39
13188	3" x 3" x 3"	2	22	26
13199	4" x 4" x 4"	1	15	15

KOD CODE	EBAT / SIZE G x G ₁ x G	AMBALAJ ADEDİ PACKING QUANTITY	KOLİ ADEDİ BOX QUANTITY	ÇUVAL ADEDİ SACK QUANTITY
13211	1/2" x 1/2" x 1/2"	25	550	600
13212	1/2" x 3/4" x 1/2"	25	500	550
13221	3/4" x 1/2" x 3/4"	25	500	550
13222	3/4" x 3/4" x 3/4"	25	450	450
13223	3/4" x 1" x 3/4"	25	375	400
13231	1" x 1/2" x 1"	25	400	400
13232	1" x 3/4" x 1"	25	350	400
13233	1" x 1" x 1"	25	300	350
13242	1 1/4" x 3/4" x 1 1/4"	15	195	225
13243	1 1/4" x 1" x 1 1/4"	15	180	210
13254	1 1/2" x 1 1/4" x 1 1/2"	10	110	120
13255	1 1/2" x 1 1/2" x 1 1/2"	10	80	100
13264	2" x 1 1/4" x 2"	6	60	72
13265	2" x 1 1/2" x 2"	6	60	72
13266	2" x 2" x 2"	6	48	60
13267	2 1/2" x 2 1/2" x 2 1/2"	3	30	36
13268	3" x 3" x 3"	2	18	24
13269	4" x 4" x 4"	1	14	13

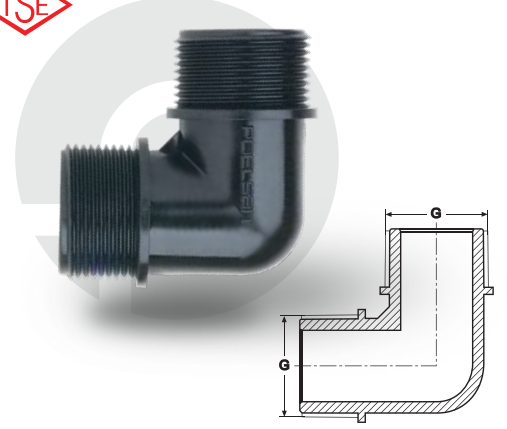
KOD CODE	EBAT / SIZE G x G x G	AMBALAJ ADEDİ PACKING QUANTITY	KOLİ ADEDİ BOX QUANTITY	ÇUVAL ADEDİ SACK QUANTITY
13271	1/2" x 1/2" x 1/2"	25	450	450
13272	3/4" x 3/4" x 3/4"	25	275	300
13273	1" x 1" x 1"	25	200	225
13274	1 1/4" x 1 1/4" x 1 1/4"	15	105	120
13275	1 1/2" x 1 1/2" x 1 1/2"	10	90	80
13276	2" x 2" x 2"	6	42	48
13277	2 1/2" x 2 1/2" x 2 1/2"	3	27	27
13278	3" x 3" x 3"	2	18	20
13279	4" x 4" x 4"	1	12	12

DIŞLİ BAĞLANTI ELEMANLARI / THREADED FITTINGS

KOD CODE	EBAT / SIZE G x G	AMBALAJ ADEDİ PACKING QUANTITY	KOLİ ADEDİ BOX QUANTITY	ÇUVAL ADEDİ SACK QUANTITY
13311	1/2" x 1/2"	25	900	950
13321	3/4" x 1/2"	25	900	950
13322	3/4" x 3/4"	25	800	900
13331	1" x 1/2"	25	600	625
13332	1" x 3/4"	25	600	650
13333	1" x 1"	25	550	550
13341	1 1/4" x 1/2"	15	300	345
13342	1 1/4" x 3/4"	15	300	360
13343	1 1/4" x 1"	15	300	330
13344	1 1/4" x 1 1/4"	15	240	270
13355	1 1/2" x 1 1/2"	10	225	180
13364	2" x 1 1/4"	6	108	120
13365	2" x 1 1/2"	6	108	126
13366	2" x 2"	6	90	102
13377	2 1/2" x 2 1/2"	4	56	60
13388	3" x 3"	2	36	40
13399	4" x 4"	1	23	24

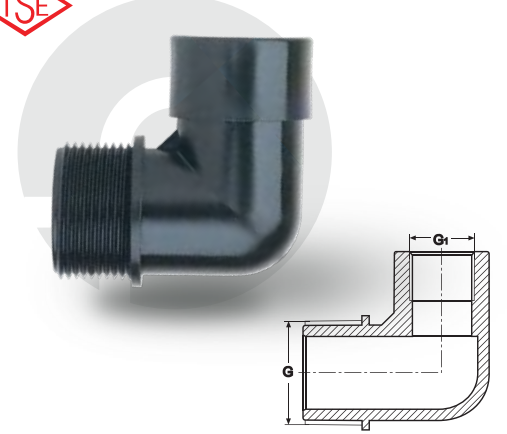
KOD CODE	EBAT / SIZE G x G ₁	AMBALAJ ADEDİ PACKING QUANTITY	KOLİ ADEDİ BOX QUANTITY	ÇUVAL ADEDİ SACK QUANTITY
13411	1/2" x 1/2"	25	800	750
13412	1/2" x 3/4"	25	600	600
13421	3/4" x 1/2"	25	700	625
13422	3/4" x 3/4"	25	600	600
13423	3/4" x 1"	25	500	550
13431	1" x 1/2"	25	550	550
13432	1" x 3/4"	25	500	500
13433	1" x 1"	25	400	450
13442	1 1/4" x 3/4"	15	270	300
13443	1 1/4" x 1"	15	240	270
13444	1 1/4" x 1 1/4"	15	210	210
13454	1 1/2" x 1 1/4"	10	140	170
13455	1 1/2" x 1 1/2"	10	120	140
13464	2" x 1 1/4"	6	108	120
13465	2" x 1 1/2"	6	84	108
13466	2" x 2"	6	72	84
13467	2 1/2" x 2 1/2"	4	48	48
13468	3" x 3"	2	32	30
13469	4" x 4"	1	18	20

KOD CODE	EBAT / SIZE G x G	AMBALAJ ADEDİ PACKING QUANTITY	KOLİ ADEDİ BOX QUANTITY	ÇUVAL ADEDİ SACK QUANTITY
13471	1/2" x 1/2"	25	800	800
13472	3/4" x 3/4"	25	450	500
13473	1" x 1"	25	300	350
13474	1 1/4" x 1 1/4"	15	180	195
13475	1 1/2" x 1 1/2"	10	110	120
13476	2" x 2"	6	66	72
13477	2 1/2" x 2 1/2"	4	36	48
13478	3" x 3"	2	26	28
13479	4" x 4"	1	16	18



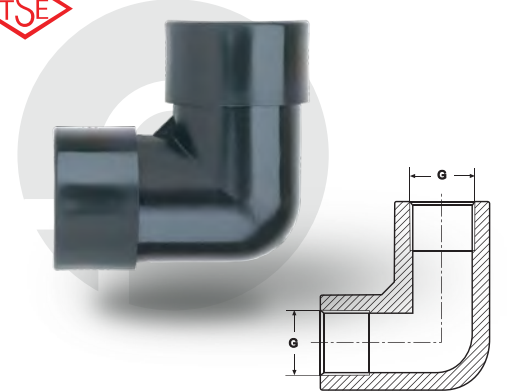
DIŞLİ DİRSEK ERKEK - ERKEK

THREADED ELBOW MALE - MALE
ТРОЙНИК РЕЗЬБОВОЙ «ШТУЦЕР» - «ШТУЦЕР»
كوع أنبوب ملولب ذكر - ذكر



DIŞLİ DİRSEK ERKEK - DIŞİ

THREADED ELBOW MALE - FEMALE
КОЛЕНО РЕЗЬБОВОЙ «ШТУЦЕР» - «МУФТА»
كوع أنبوب ملولب ذكر - أنثى

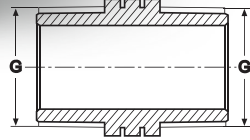


DIŞLİ DİRSEK DIŞİ - DIŞİ

THREADED ELBOW FEMALE - FEMALE
КОЛЕНО РЕЗЬБОВОЙ «МУФТА» - «МУФТА»
كوع أنبوب ملولب أنثى - أنثى

DIŞLİ BAĞLANTI ELEMANLARI / THREADED FITTINGS

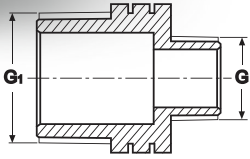
تجهيزات وصلات ملولبة / РЕЗЬБОВЫЕ ФИТИНГИ



DIŞLİ NİPEL

THREADED NIPPLE
НИППЕЛЬ РЕЗЬБОВОЙ
نبل ملولبة

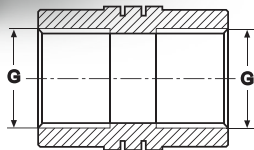
KOD CODE	EBAT / SIZE G x G	AMBALAJ ADEDİ PACKING QUANTITY	KOLİ ADEDİ BOX QUANTITY	ÇUVAL ADEDİ SACK QUANTITY
13511	1/2" x 1/2"	50	1500	1600
13522	3/4" x 3/4"	50	1400	1400
13533	1" x 1"	50	900	900
13544	1 1/4" x 1 1/4"	25	375	400
13555	1 1/2" x 1 1/2"	25	250	300
13566	2" x 2"	25	150	175
13577	2 1/2" x 2 1/2"	12	96	108
13588	3" x 3"	12	60	72
13599	4" x 4"	6	36	48



DIŞLİ REDÜKSİYON NİPEL

THREADED REDUCING NIPPLE
НИППЕЛЬ РЕЗЬБОВОЙ ПЕРЕХОДНЫЙ
نبل ملولبة للتقليص

KOD CODE	EBAT / SIZE G ₁ x G	AMBALAJ ADEDİ PACKING QUANTITY	KOLİ ADEDİ BOX QUANTITY	ÇUVAL ADEDİ SACK QUANTITY
13621	3/4" x 1/2"	50	1500	1500
13631	1" x 1/2"	50	1000	1050
13632	1" x 3/4"	50	900	1000
13641	1 1/4" x 1/2"	25	450	500
13642	1 1/4" x 3/4"	25	450	500
13643	1 1/4" x 1"	25	450	500
13652	1 1/2" x 3/4"	25	300	300
13653	1 1/2" x 1"	25	300	350
13654	1 1/2" x 1 1/4"	25	275	300
13663	2" x 1"	25	200	225
13664	2" x 1 1/4"	25	175	225
13665	2" x 1 1/2"	25	175	200
13674	2 1/2" x 1 1/4"	12	120	132
13675	2 1/2" x 1 1/2"	12	108	120
13676	2 1/2" x 2"	12	108	120
13685	3" x 1 1/2"	12	96	120
13686	3" x 2"	12	96	120
13687	3" x 2 1/2"	12	72	84
13696	4" x 2"	6	60	60
13697	4" x 2 1/2"	6	60	60
13698	4" x 3"	6	60	60



DIŞLİ MANŞON

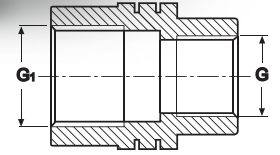
THREADED COUPLING
МУФТА РЕЗЬБОВАЯ
جلبة مسننة لولبية

KOD CODE	EBAT / SIZE G x G	AMBALAJ ADEDİ PACKING QUANTITY	KOLİ ADEDİ BOX QUANTITY	ÇUVAL ADEDİ SACK QUANTITY
13711	1/2" x 1/2"	50	1200	1250
13722	3/4" x 3/4"	50	750	900
13733	1" x 1"	50	400	450
13744	1 1/4" x 1 1/4"	25	250	300
13755	1 1/2" x 1 1/2"	15	225	240
13766	2" x 2"	12	144	156
13777	2 1/2" x 2 1/2"	12	120	108
13788	3" x 3"	6	60	78
13799	4" x 4"	4	40	40

DIŞLİ BAĞLANTI ELEMANLARI / THREADED FITTINGS

تجهيزات وصلات ملولبة / РЕЗЬБОВЫЕ ФИТИНГИ

KOD CODE	EBAT / SIZE G ₁ x G ₂	AMBALAJ ADEDİ PACKING QUANTITY	KOLİ ADEDİ BOX QUANTITY	ÇUVAL ADEDİ SACK QUANTITY
13821	¾" x ½"	50	800	850
13831	1" x ½"	50	450	550
13832	1" x ¾"	50	400	550
13842	1 ¼" x ¾"	25	300	300
13843	1 ¼" x 1"	25	275	325
13853	1 ½" x 1"	15	270	270
13854	1 ½" x 1 ¼"	15	240	270
13864	2" x 1 ¼"	12	192	204
13865	2" x 1 ½"	12	168	180
13874	2 ½" x 1 ¼"	12	168	156
13875	2 ½" x 1 ½"	12	168	144
13876	2 ½" x 2"	12	120	120
13886	3" x 2"	6	84	90
13887	3" x 2 ½"	6	84	84
13896	4" x 2"	4	56	48
13897	4" x 2 ½"	4	48	48
13898	4" x 3"	4	48	44

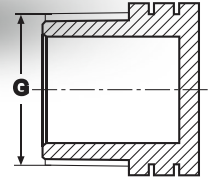
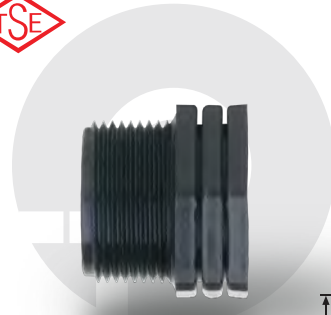


DIŞLİ REDÜKSİYON MANŞON

THREADED REDUCING COUPLING

МУФТА РЕЗЬБОВАЯ ПЕРЕХОДНАЯ

جلبة مسننة لولبية للقليص

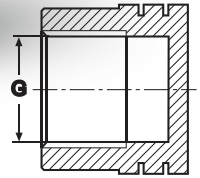


DIŞLİ KÖR TAPA ERKEK

THREADED END CAP MALE

ЗАГЛУШКА РЕЗЬБОВАЯ «ШТУЦЕР»

ذكر سداة لولبية



DIŞLİ KÖR TAPA DIŞI

THREADED END CAP FEMALE

ЗАГЛУШКА РЕЗЬБОВАЯ «МУФТА»

أنثى سداة لولبية

KOD CODE	EBAT / SIZE G	AMBALAJ ADEDİ PACKING QUANTITY	KOLİ ADEDİ BOX QUANTITY	ÇUVAL ADEDİ SACK QUANTITY
14111	½"	50	2000	2000
14122	¾"	50	1800	1800
14133	1"	50	1200	1300
14144	1 ¼"	25	550	600
14155	1 ½"	15	360	390
14166	2"	12	240	264
14177	2 ½"	12	144	168
14188	3"	6	120	108
14199	4"	4	56	64

KOD CODE	EBAT / SIZE G	AMBALAJ ADEDİ PACKING QUANTITY	KOLİ ADEDİ BOX QUANTITY	ÇUVAL ADEDİ SACK QUANTITY
14211	½"	50	1600	1500
14222	¾"	50	1100	1150
14233	1"	50	600	650

DIŞLİ BAĞLANTI ELEMANLARI / THREADED FITTINGS

تجهيزات وصلات ملوئية / РЕЗЬБОВЫЕ ФИТИНГИ

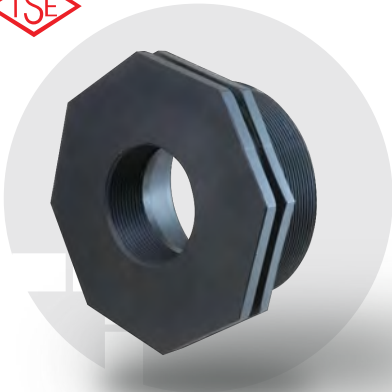
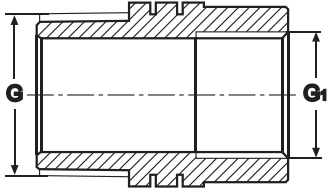


DIŞLİ REDÜKSİYON ERKEK - DIŞI

THREADED REDUCING MALE - FEMALE

ПЕРЕХОДНИК РЕЗЬБОВОЙ «МУФТА»

مسنة لولبية للتقليص ذكر - أنثى



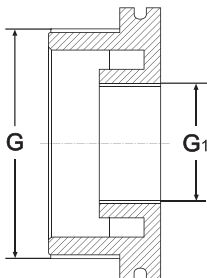
DIŞLİ REDÜKSİYON ERKEK - DIŞI

THREADED REDUCING MALE - FEMALE

BUSHING

ПЕРЕХОДНИК РЕЗЬБОВОЙ «МУФТА»

مسنة لولبية للتقليص



KOD CODE	EBAT / SIZE G x G ₁	AMBALAJ ADEDİ PACKING QUANTITY	KOLİ ADEDİ BOX QUANTITY	ÇUVAL ADEDİ SACK QUANTITY
13911	1/2" x 1/2"	50	1300	1300
13912	1/2" x 3/4"	50	900	1050
13913	1/2" x 1"	50	500	550
13922	3/4" x 3/4"	50	800	900
13923	3/4" x 1"	50	500	550
13933	1" x 1"	50	450	500
13944	1 1/4" x 1 1/4"	15	210	255
13945	1 1/4" x 1 1/2"	15	270	285
13955	1 1/2" x 1 1/2"	15	210	255
13956	1 1/2" x 2"	15	180	210
13957	1 1/2" x 2 1/2"	15	120	135
13966	2" x 2"	15	150	180
13967	2" x 2 1/2"	12	108	132
13968	2" x 3"	6	84	84
13969	2" x 4"	4	56	48
13977	2 1/2" x 2 1/2"	12	84	108
13978	2 1/2" x 3"	6	72	84
13979	2 1/2" x 4"	4	48	48
13988	3" x 3"	6	66	72
13989	3" x 4"	4	48	44
13999	4" x 4"	4	40	36

KOD CODE	EBAT / SIZE G x G ₁	AMBALAJ ADEDİ PACKING QUANTITY	KOLİ ADEDİ BOX QUANTITY	ÇUVAL ADEDİ SACK QUANTITY
13921	3/4" x 1/2"	50	2000	2000
13931	1" x 1/2"	50	1200	1250
13932	1" x 3/4"	50	1200	1300
13941	1 1/4" x 1/2"	25	550	600
13942	1 1/4" x 3/4"	25	550	600
13943	1 1/4" x 1"	25	550	600
13951	1 1/2" x 1/2"	15	390	390
13952	1 1/2" x 3/4"	15	360	390
13953	1 1/2" x 1"	15	360	390
13954	1 1/2" x 1 1/4"	15	300	300
13961	2" x 1/2"	15	270	270
13962	2" x 3/4"	15	255	270
13963	2" x 1"	15	240	270
13964	2" x 1 1/4"	15	255	270
13965	2" x 1 1/2"	15	255	270
13973	2 1/2" x 1"	12	144	144
13974	2 1/2" x 1 1/4"	12	144	168
13975	2 1/2" x 1 1/2"	12	144	168
13976	2 1/2" x 2"	12	144	168
13984	3" x 1 1/4"	12	96	108
13985	3" x 1 1/2"	12	96	108
13986	3" x 2"	12	96	108
13987	3" x 2 1/2"	12	96	120
13996	4" x 2"	6	60	60
13997	4" x 2 1/2"	6	60	72
13998	4" x 3"	6	60	72

SERTİFİKALARIMIZ / CERTIFICATES



MARKA TESCİL BELGESİ
BRAND REGISTRATION



KALİTE YÖNETİM BELGESİ
QUALITY MANAGEMENT
SYSTEM CERTIFICATE



ÇEVRE YÖNETİM BELGESİ
ENVIRONMENT MANAGEMENT
SYSTEM CERTIFICATE



İŞ SAĞLIĞI GÜVENLİĞİ
OCCUPATIONAL HEALTH &
SAFETY MANAGEMENT SYSTEM
CERTIFICATE



**YENİ MAVİ SERİ
AMERİKA PATENTİ**
NEW BLUE SERIES
USA DESIGN PATENT



KIWA BELGESİ
KIWA CERTIFICATE



**MAVİ SERİ
TASARIM TESCİL BELGESİ**
BLUE SERIES - DESIGN
REGISTRATION CERTIFICATE



**YENİ MAVİ SERİ
TASARIM TESCİL**
NEW BLUE SERIES - DESIGN
REGISTRATION CERTIFICATE



**YENİ PRİZ KOLYE
TASARIM TESCİL**
NEW CLAMP SADDLE
DESIGN REGISTRATION
CERTIFICATE



FAYDALI MODEL BELGESİ
UTILITY MODEL CERTIFICATE
FLEXIBLE O-RING HOLDERS



**TS ISO 17885 ÇİFT YILDIZ
KRİTERLERİNE UYGUNLUK**
TSE ISO 17885 CERTIFICATE of
CONFORMITY to DOUBLE STAR CRITERIA



**TS ISO 13460-1 ÇİFT YILDIZ
KRİTERLERİNE UYGUNLUK**
TSE ISO 13460-1 CERTIFICATE of
CONFORMITY to DOUBLE STAR CRITERIA



**TS ISO 17885 TÜRK
STANDARTLARINA UYGUNLUK**
TSE ISO 17885 CERTIFICATE of
CONFORMITY to TSE



**TS ISO 13460-1 TÜRK
STANDARTLARINA UYGUNLUK**
TSE ISO 13460-1 CERTIFICATE of
CONFORMITY to TSE



**TS 13716 VANA KUTULARI
TÜRK STANDARTLARINA UYGUNLUK**
TS 13716 VALVE BOXES CERTIFICATE of
CONFORMITY to TSE



**TS ISO 9911 VANALAR TSE
KRİTERLERİNE UYGUNLUK**
TS ISO 9911 VALVES CERTIFICATE of
CONFORMITY to TSE



**TS ISO 9261 TÜRK
STANDARTLARINA UYGUNLUK**
TS ISO 9261 CERTIFICATE of
CONFORMITY to TSE





06/2019

Şabanoğlu OSB Mahallesi Ulubatlı Caddesi No: 6 Tekkeköy SAMSUN TÜRKİYE
Tel: +90 362 266 75 24 Faks: +90 362 266 77 51 GSM: +90 544 366 69 64

www.poelsan.com    poelsan   poelsanplastik poelsan@poelsan.com